

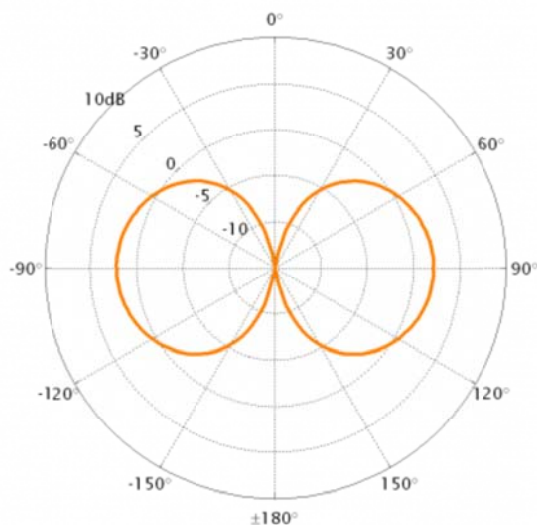
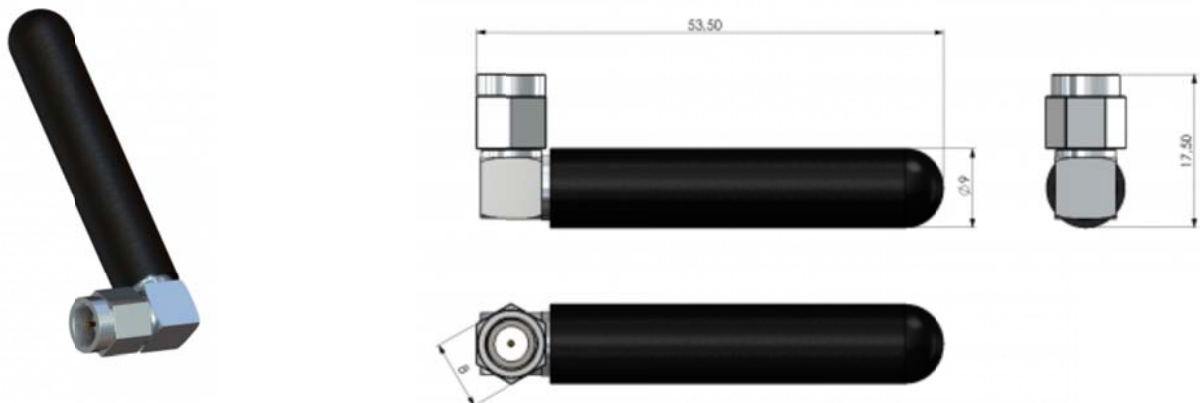
## Technical Data:

### Electrical Specifications

Antenna type	Semi-flexible full ¼ whip antenna with integrated SMA right angle connector
Frequency	2310 - 2485 MHz (WLAN, Bluetooth, Zig-Bee etc.)
Impedance	50 Ohms
Polarisation	Vertical
Gain	2 dBi (0 dBd)
Bandwith	175 MHz
VSWR	< 2.0 over entire band
Max. Input Power	10 W

### Mechanical Specifications

Color	Black
Height	55 mm
Diameter	Ø 33 mm
Mounting	Direct SMA mounting
Materials	PE, copper, brass and Teflon
Operating temperature	-40° C to +70° C
Connector	SMA male right angle



### Ordering-Information

CTX3399A	Semi-flexible full ¼ whip SMA right angle WLAN antenna
----------	--